

DIGICHAIN



**Hook-slung handling device
for spot-on positioning of loads
of up to 500 kg**



2, boulevard de l'Industrie - B.P. 20059 - 28509 Vernouillet cedex - France

Phone : (33) 2 37 38 95 95 - Fax : (33) 2 37 38 95 99

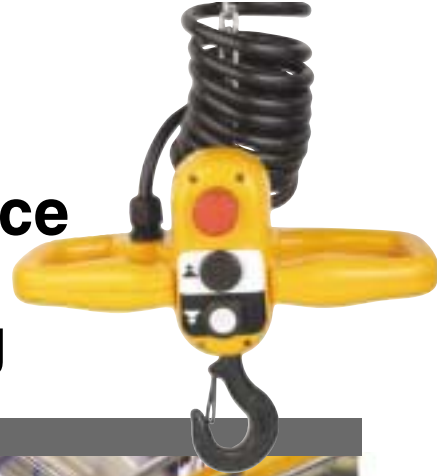
Internet : www.verlinde.com

JV 03 04 479 U GB

Safety

DIGICHAIN

Hook-slung handling device for spot-on positioning of loads of up to 500 kg



GENERAL CHARACTERISTICS

Easy-to-use, ergonomic workstation

A workstation meeting fully the demanding requirements of today's users.

With **DIGICHAIN** type hook-slung push-button controlled handling device, your loads ranging from 60 to 500 kg can be effortlessly positioned with spot-on accuracy.

The orientation of the hoisting hook and handling grip can be suitably adapted by means of the adjustment screw.

100% safety

The **DIGICHAIN** handling system enables you to lift your loads up to a height of 3 meters.

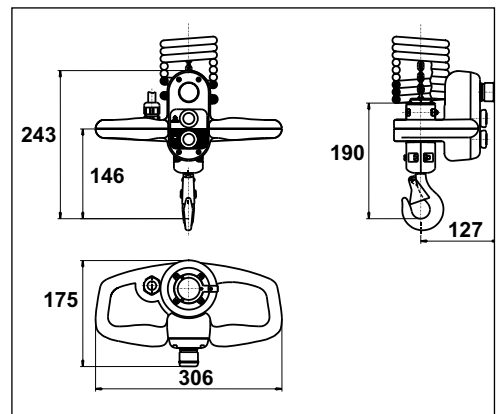
- Coil-formed control cable eliminates all risk of snarling up.
- Upper and lower limits switches, for greater operating safety.
- Hoisting hook can be dismantled and replaced with other hoisting or gripping tools.
- Low Voltage 48 volt control system ensuring maximum operator safety

Accuracy



TECHNICAL CHARACTERISTICS

- Load capacity : 60 to 500 kg
- Maximum hoisting height : 3 meters
- Upper and Lower limit switches
- Dismountable hoisting hook
- 48 volts Low voltage control system
- Weight : 3.2 kg
- Storage temperature : -40°C to +60°C
- Service temperature : -20°C to +40°C
- Relative humidity : 90%
- Maximum side pull operability : 3 degrees



RANGE OF EUROCHAIN AVAILABLE IN DIGICHAIN VERSION

Capacity (kg)	EUROCHAIN electric hoist equipped with DIGICHAIN handling device	F.E.M. Group	Hoisting speed (m/min)	Number of falls	Hoisting motor power (kW)
60	VL1 0616 b1	1Bm	16 / 4	1	0,2/0,05
	VL1 068 b2	2m	8 / 2	1	0,2/0,05
80	VL1 088 b2	2m	8 / 2	1	0,2/0,05
	VL1 128 b1	1Bm	8 / 2	1	0,2/0,05
125	VL2 124 m2	2m	4	1	0,4
	VL2 128 m2	2m	8	1	0,8
	VL2 128 b2	2m	8 / 2	1	0,8/0,2
	VL2 1216 b2	2m	16 / 4	1	0,8/0,2
	VL2 254 m1	1Bm	4	1	0,4
250	VL2 258 m1	1Bm	8	1	0,8
	VL2 258 b1	1Bm	8 / 2	1	0,8/0,2
	VL5 2516 b1	1Bm	16 / 4	1	0,8/0,2
	VL5 254 m2	2m	4	1	0,4
	VL5 258 m2	2m	8	1	0,8
	VL5 258 b2	2m	8 / 2	1	0,8/0,2
	500	VL5 504 m1	1Bm	4	1
VL5 508 m1		1Bm	8	1	0,8
VL5 508 b1		1Bm	8 / 2	1	0,8/0,2